

Product Catalog & Technical Specifications



Table of Contents

Trex Ready Outdoor Kitchens: Introduction	3
Powder Coat & Cabinetry Details	5
QR Code Link to Online Configurator	6
Customization: Detailed Steps	7
Layout Details	9
Technical Specifications	13
Trex Ready™ Order Form	21




Trex Ready™ Outdoor Kitchens


Trex® Outdoor Kitchens is proud to debut the Trex Ready™ series – the pinnacle of quality, engineering, and style in outdoor stainless steel kitchen cabinetry, proudly made in the USA.

Trex Ready™ kitchens are constructed with 304-grade stainless steel and designed to provide long-lasting luxury in your outdoor space.

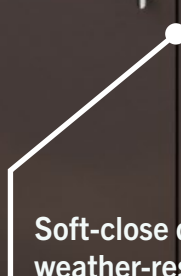
With seven available predetermined layouts, the Trex Ready™ series simplifies the design process by bringing together our most functional and versatile cabinet configurations with six designer-curated powder coat finishes. Customize your Trex Ready™ kitchen to suit your outdoor cooking and entertainment needs.



Durable 304-grade stainless steel is designed to withstand the elements.



Trash pull-out cabinets help keep your outdoor kitchen tidy and organized.



Soft-close drawers and doors, magnetic catches, and weather-resistant gaskets add a luxurious tactile feel.

Customize your outdoor kitchen in four simple steps:

1 Select Layout

Find the ideal kitchen cabinet and appliance configuration for your outdoor space. The seven available layouts address a variety of appliance and storage needs.

2 Determine Grill Size

Kitchens are designed to fit 30"-36" or 42" grills from select manufacturers. Grill size will determine the width of the grill cabinet as well as the overall width.

3 Back Panel Option

If the back of your kitchen is going to be visible, add powder coated back panels for a finished look from all angles.

4 Select Color

Choose one of six unique designer-curated powder coat finishes for your cabinets. Match the aesthetic of your outdoor environment or introduce a splash of color.



Powder Coat Finishes

Trex Ready™ Outdoor kitchens are available in six designer-curated powder coat finishes so that you can choose the color that matches and enhances your outdoor space. Powder coats offer weather-resistant qualities that extend the life of the cabinetry.

Optional aesthetic rear finishing panels receive the same powder coat finish as the rest of the cabinetry and provide a finished look from all angles.



Quality Cabinetry

Designed for long-term outdoor use, our cabinetry is made from 304-grade stainless steel and protected with a durable powder coat.



Magnetic catches and soft-close doors add a luxurious tactile feel to all cabinets.

Weather-resistant gaskets help protect items stored within from water and moisture.

Adjustable-height leveling feet make it easy to install cabinetry in outdoor surfaces.

Design your outdoor kitchen in four simple steps

Use our online configurator to visualize your Trex Ready outdoor kitchen. Try out all the possible combinations of layout and powder coat finish.

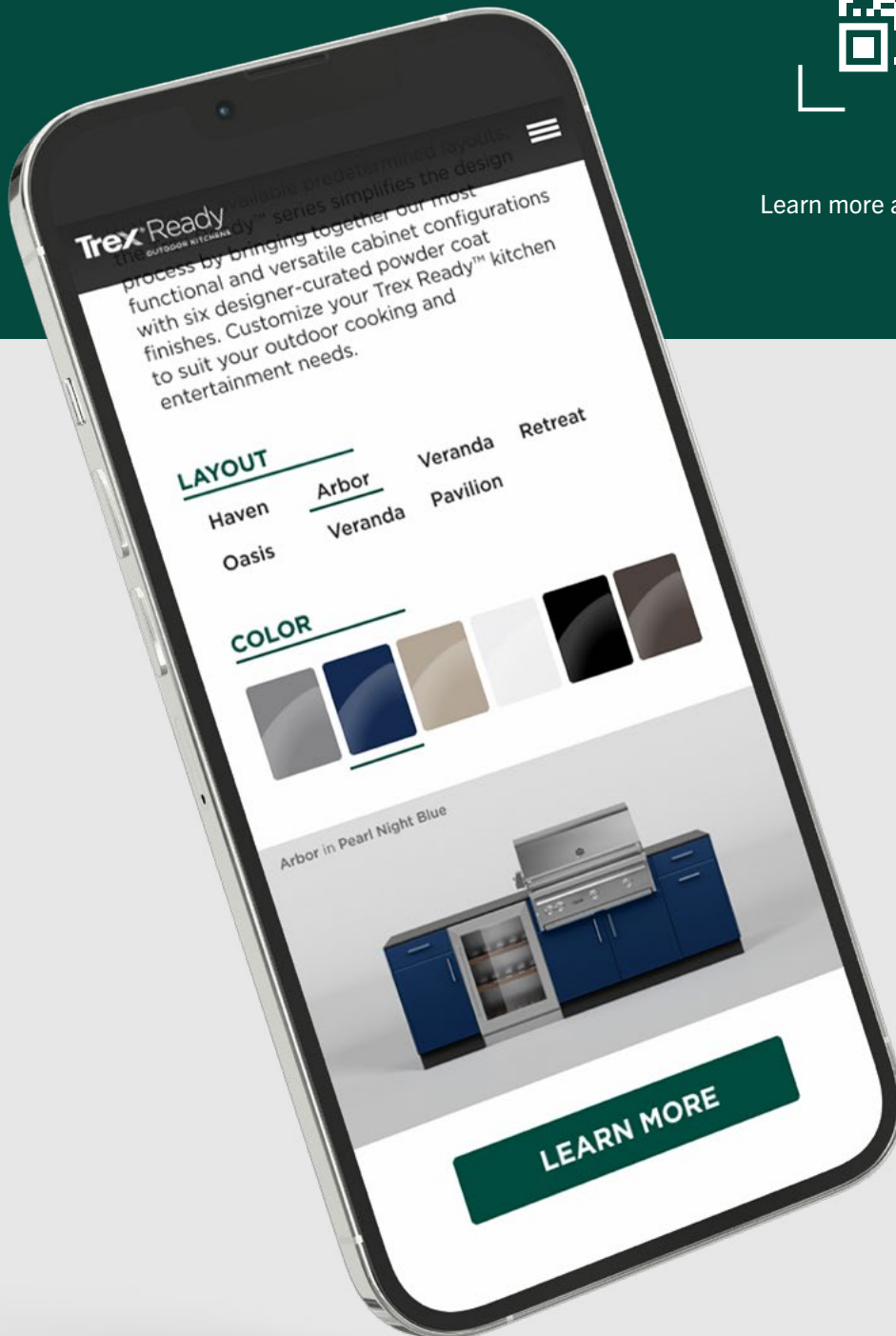
Scan the code to the right to visit the Trex Ready website and learn more.

You can also visit trex-outdoorkitchens.com

SCAN CODE



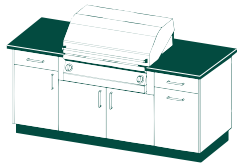
Learn more and design your own!



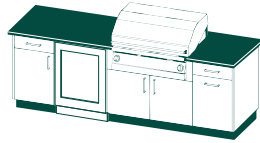
Design your outdoor kitchen in four simple steps

1 Select Layout

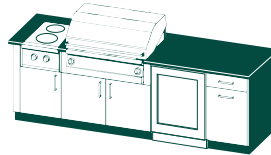
Find the ideal kitchen cabinet and appliance configuration for your outdoor space. Whatever your style of cooking and entertaining, we have the layout for you. Ranging from an elegant grilling station solution to a sprawling outdoor kitchen that'll be the heart of your outdoor space, there's a Trex Ready™ layout to suit your needs.



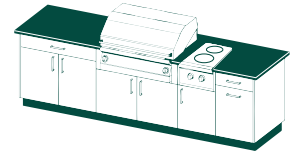
Haven



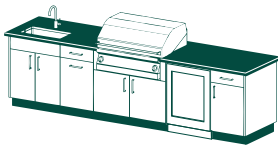
Arbor



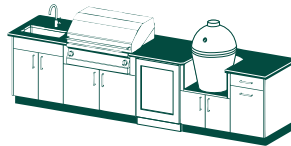
Veranda



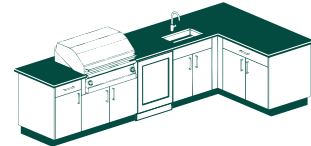
Retreat



Oasis



Grove

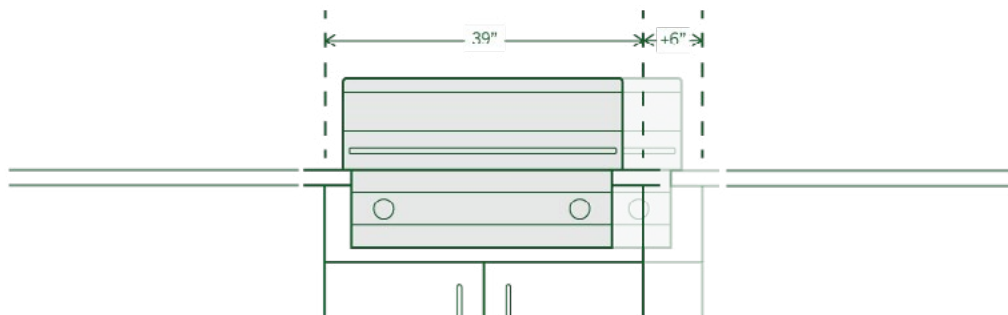


Alcove

2 Determine Your Grill Size

Trex Ready™ Outdoor Kitchens are designed to accommodate 30-36" or 42" grills for most manufacturers. When filling out the order form, please specify the make and model of your grill so that our engineers can provide a custom trim kit that ensures a seamless fit for your outdoor kitchen.

Please note that the Grove and Alcove outdoor kitchens are only compatible with 30-36" grills. The grill size determines the size of the cabinet designed to accommodate it: 30-36" grills require a 39" cabinet, while 42" grills require a 45" cabinet. These widths will be reflected in the template name for your outdoor kitchen (39 / 45).



3 Back Panel Option

If your outdoor kitchen is to be positioned so that the back of it is visible, we recommend ordering powder coated back panels for a finished look from all angles.

Your cabinets can be positioned against a wall or other feature, in which case rear finishing panels are not required.

Rear finishing panels extend the powder coat finish to the back of the cabinets. ▶

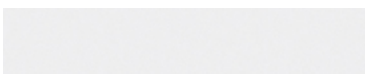


◀ The finished back of the cabinets offers a consistent 360° look.

4 Select Color

Choose from six popular powder coat finishes to add beauty and reduce the maintenance of your stainless steel outdoor kitchen. High quality 304-grade powder coated stainless steel is designed to withstand the elements. These designer-curated colors are sure to make an impression for years to come.

The hand-picked swatches are versatile and intended to work with various home and landscape styles as well as different climates and environments. Try our online configurator to see the available layouts in different colors.



Seashell White



Pearl Night Blue



Metallic Bronze Matte



Midnight Matte



Champagne 304



Slate

Layout Details

Our stainless steel cabinets are designed to combine long-lasting functionality with style. Weather-resistant stainless steel lends itself well to perennial all-season use. All doors and drawers are fitted with weather-resistant gaskets.

Appliances, countertops, and plumbing must be sourced separately. Starting prices and dimensions listed reflect layouts designed with a 39" grill base cabinet and without rear finishing panels; dimensions listed in parentheses reflect layouts designed with a 45" grill base cabinet (width) and with rear finishing panels (depth). Height dimensions include a 1½" countertop and are subject to change depending on countertop thickness.

More detailed technical specifications can be found in the next section.

Feature Legend:



Drawers



Trash Drawer



Refrigerator



Sink & Faucet



Smoker



Side Burner



Haven

Width 76 ½" (82 ½")

Height 36 ½"

Depth 27 ⅞" (28 ⅝")

Functioning as a compact cooking station, Haven is a grill-centric configuration that flanks the centerpiece with a trash pull-out cabinet and plenty of storage space. Shown in **Champagne 304**.



STARTING AT \$8,097



Arbor

Width 100 3/4" (106 3/4") Height 36 1/2" Depth 27 7/8" (28 5/8")

Designed with entertainment in mind, Arbor adds a refrigerator space and additional workspace on the left side of the grill cabinet. It is rounded out with a trash pull-out cabinet and storage. Shown in **Pearl Night Blue**.



STARTING AT \$9,279



Veranda

Width 103" (109") Height 36 1/2" Depth 27 7/8" (28 5/8")

Veranda offers additional cooking capabilities with a side burner cabinet next to the grill cabinet. It includes a refrigerator space and a trash pull-out cabinet for easy food prep and cleanup. Shown in **Seashell White**.



STARTING AT \$9,370



Retreat

Width 112 ½" (118 ½") Height 36 ½" Depth 27 ⅞" (28 ⅞")

This configuration is generous with storage and counter space. It includes a door/drawer combination base cabinet, a side burner cabinet, and a trash pull-out cabinet. Shown in **Midnight Matte**.



STARTING AT \$11,212



Oasis

Width 127 ¾" (133 ¾") Height 36 ½" Depth 27 ⅞" (28 ⅞")

The complete cooking and entertainment package, Oasis accommodates a sink cabinet, a refrigerator space, a grill cabinet, a trash pull-out cabinet, and drawer/door combination base cabinet. Shown in **Metallic Bronze Matte**.



STARTING AT \$11,255



Grove

Width 136 3/4"

Height 36 1/2"

Depth 27 7/8" (28 5/8")

Grove is the ultimate cooking solution. Featuring cabinets that accommodate a sink, grill, refrigerator, trash pull-out bin, and a smoker, you will have all the appliances you need for food prep and cooking. Shown in Slate.

NOTE: this layout only fits 30-36" grills



STARTING AT \$12,772



Alcove

142"

70"

Height 36 1/2"

Depth 27 7/8" (28 5/8")

The most generous layout for storage, Alcove is complete with cabinetry for a grill, sink, and refrigerator. This L-shaped configuration offers ample counter space for all your cooking requirements. Shown in Pearl Night Blue.

NOTE: this layout only fits 30-36" grills

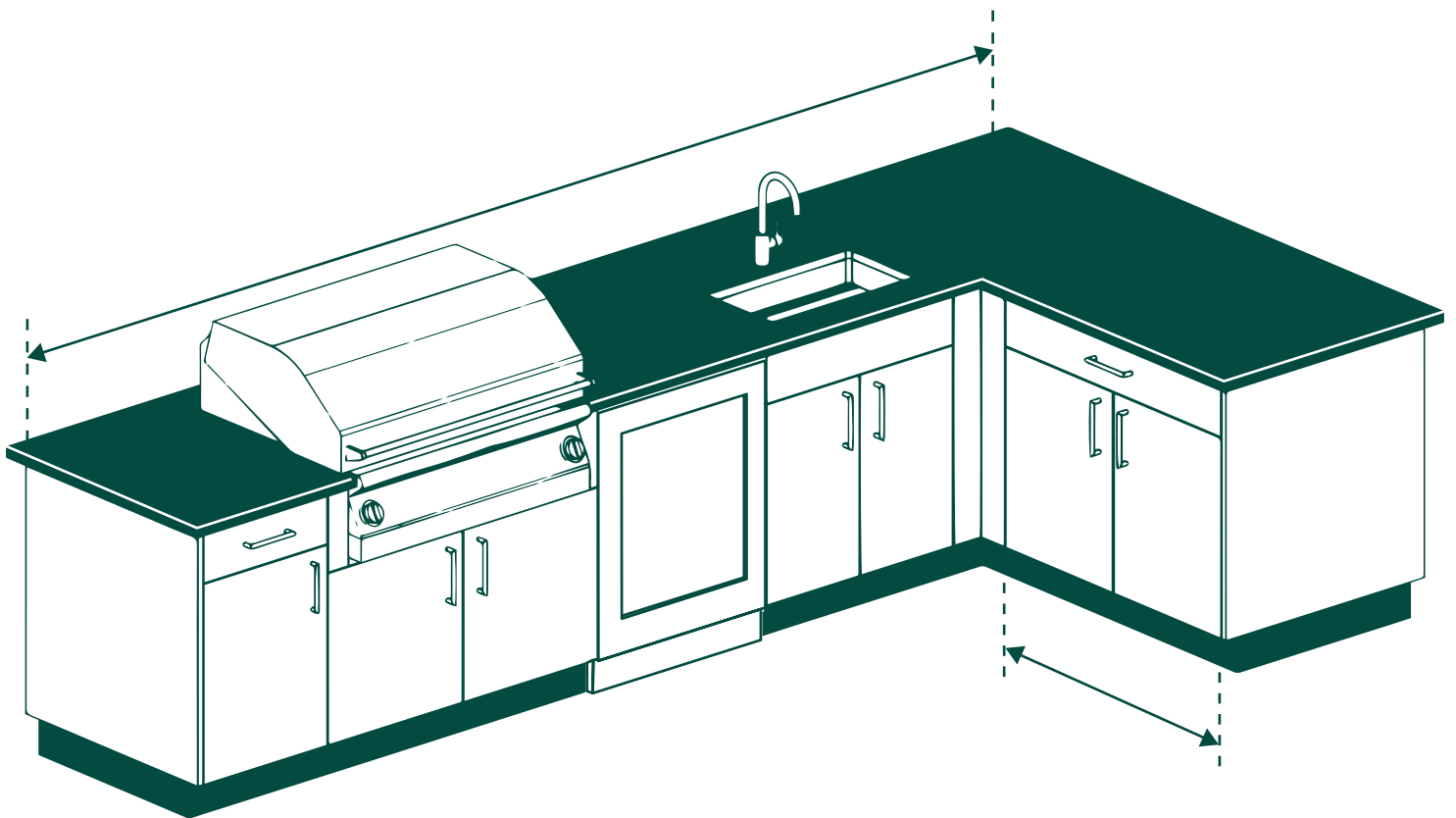


STARTING AT \$13,328

Technical Specifications

The following pages offer an in-depth overview of the Trex Ready™ layout options. Note that each layout has four possible template names, reflecting options for 30-36" or 42" grills and inclusion or exclusion of aesthetic rear finishing panels; the Grove and Alcove layouts are only available with 30-36" grill compatibility and therefore have two possible template names, reflecting option for inclusion or exclusion of aesthetic rear finishing panels.

Please consider all dimensions and details when choosing your outdoor kitchen to ensure that it is compatible with your desired appliances, countertop, and plumbing. Please review all dimensions to determine that the outdoor kitchen of your choice fits in the space intended for it. Please note that not all grills are supported in Trex Ready™ grill base cabinets and confirm cabinet compatibility with your appliance.



Haven

STARTING AT \$8,097



Features:



2 Storage Drawers



Pull-out Trash Bin Drawer

Functioning as a compact cooking station, Haven is a grill-centric configuration that flanks the centerpiece with a trash pull-out cabinet and plenty of storage space. Shown in **Champagne 304**.

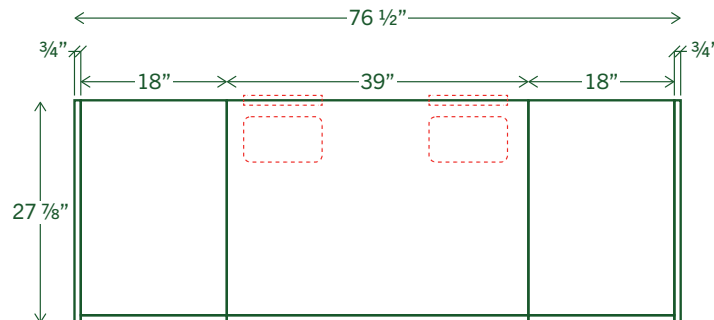
Width 76 1/2" (82 1/2") Height 36 1/2" Depth 27 7/8" (28 5/8")

Dimensions listed are for cabinetry designed to fit a 30-36" grill and without aesthetic finished rear panels. Opting for a 42" grill will increase width by 6", adding aesthetic finished rear panels will increase depth by 3/4". Resulting dimensions are shown in parentheses. Height measurement reflects 1 1/2" thick countertop. Adjustable leveling feet may affect height.

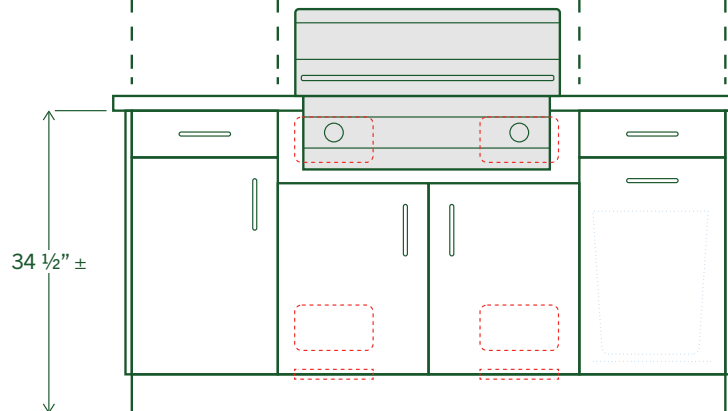
Template names are constructed as **LAYOUT** followed by **GRILL SIZE** (30-36"=**39**, 42"=**45**), **BP** if build has back panels, **NO BP** if it does not, and total width in inches (e.g. **76.5**).

	NO BACK PANELS	WITH BACK PANELS
<36" Grill	HAVEN 39 NO BP 76.5	HAVEN 39 BP 76.5
42" Grill	HAVEN 45 NO BP 82.5	HAVEN 45 BP 82.5

TOP VIEW



FRONT VIEW



Arbor

STARTING AT \$9,279



Features:



2 Storage Drawers



Refrigerator



Pull-out Trash Bin Drawer

Designed with entertainment in mind, Arbor adds a refrigerator space and additional workspace on the left side of the grill cabinet. It is rounded out with a trash pull-out cabinet and storage. Shown in **Pearl Night Blue**.

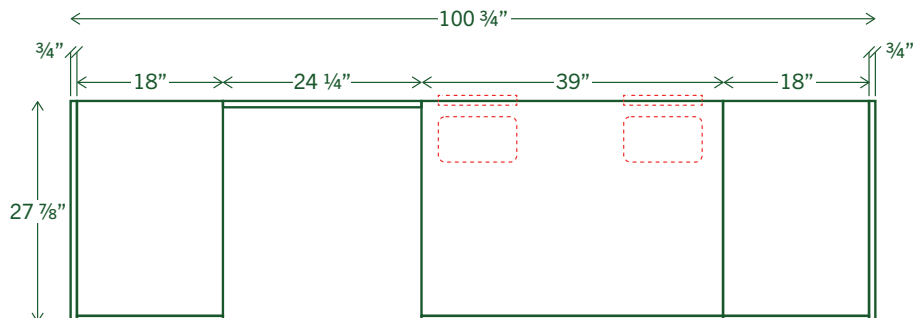
Width 100 3/4" (106 3/4") Height 36 1/2" Depth 27 7/8" (28 5/8")

Dimensions listed are for cabinetry designed to fit a 30-36" grill and without aesthetic finished rear panels. Opting for a 42" grill will increase width by 6", adding aesthetic finished rear panels will increase depth by 3/4". Resulting dimensions are shown in parentheses. Height measurement reflects 1 1/2" thick countertop. Adjustable leveling feet may affect height.

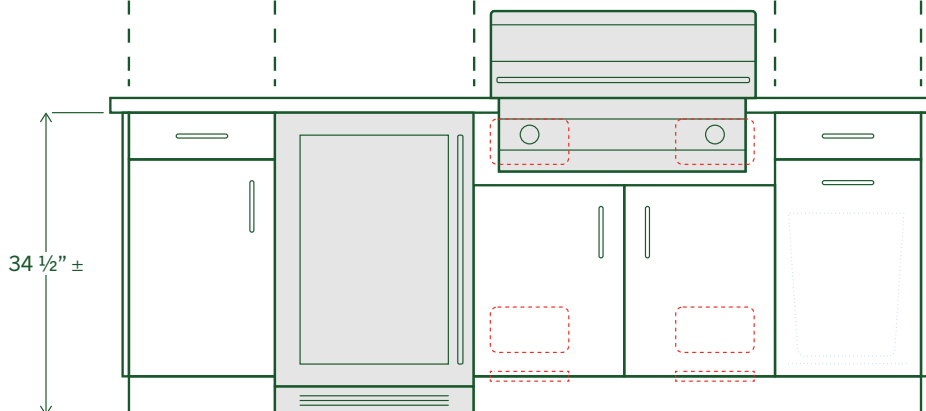
Template names are constructed as **LAYOUT** followed by **GRILL SIZE** (30-36"=**39**, 42"=**45**), **BP** if build has back panels, **NO BP** if it does not, and total width in inches (e.g. **100.75**).

	NO BACK PANELS	WITH BACK PANELS
<36" Grill	ARBOR 39 NO BP 100.75	ARBOR 39 BP 100.75
42" Grill	ARBOR 45 NO BP 106.75	ARBOR 45 BP 106.75

TOP VIEW



FRONT VIEW







Veranda

STARTING AT \$9,370



Features:

-  **x1** 1 Storage Drawer
-  Refrigerator
-  Pull-out Trash Bin Drawer
-  Side Burner

Veranda offers additional cooking capabilities with a side burner cabinet next to the grill cabinet. It includes a refrigerator space and a trash pull-out cabinet for easy food prep and cleanup. Shown in **Seashell White**.

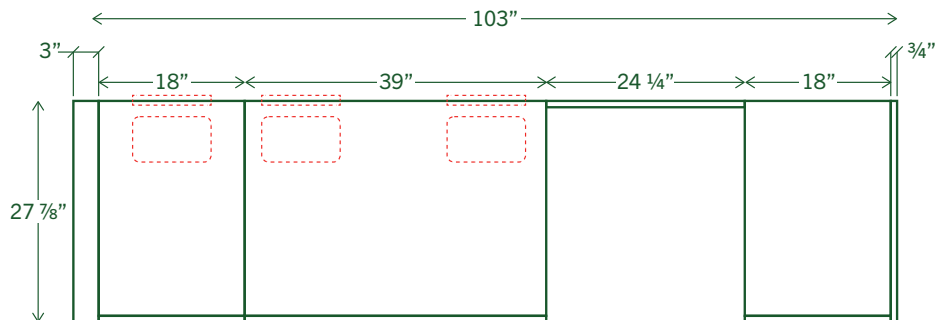
Width 103" (109") Height 36 1/2" Depth 27 7/8" (28 5/8")

Dimensions listed are for cabinetry designed to fit a 30-36" grill and without aesthetic finished rear panels. Opting for a 42" grill will increase width by 6", adding aesthetic finished rear panels will increase depth by 3/4". Resulting dimensions are shown in parentheses. Height measurement reflects 1 1/2" thick countertop. Adjustable leveling feet may affect height.

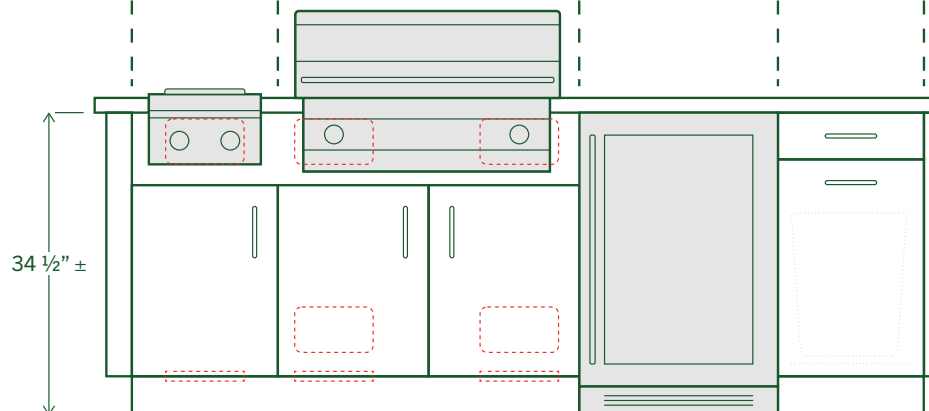
Template names are constructed as **LAYOUT** followed by **GRILL SIZE** (30-36"=**39**, 42"=**45**), **BP** if build has back panels, **NO BP** if it does not, and total width in inches (e.g. **103**).

	NO BACK PANELS	WITH BACK PANELS
<36" Grill	VERANDA 39 NO BP 103	VERANDA 39 BP 103
42" Grill	VERANDA 45 NO BP 109	VERANDA 45 BP 109

TOP VIEW



FRONT VIEW



Retreat

STARTING AT \$11,212



Features:



2 Storage Drawers



Side Burner



Pull-out Trash Bin Drawer

This configuration is generous with storage and counter space. It includes a door/drawer combination base cabinet, a side burner cabinet, and a trash pull-out cabinet. Shown in **Midnight Matte**.

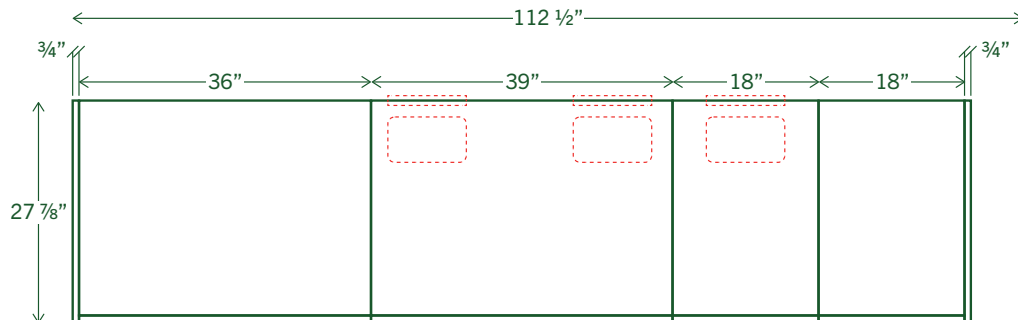
Width 112 1/2" (118 1/2") Height 36 1/2" Depth 27 7/8" (28 5/8")

Dimensions listed are for cabinetry designed to fit a 30-36" grill and without aesthetic finished rear panels. Opting for a 42" grill will increase width by 6", adding aesthetic finished rear panels will increase depth by 3/4". Resulting dimensions are shown in parentheses. Height measurement reflects 1 1/2" thick countertop. Adjustable leveling feet may affect height.

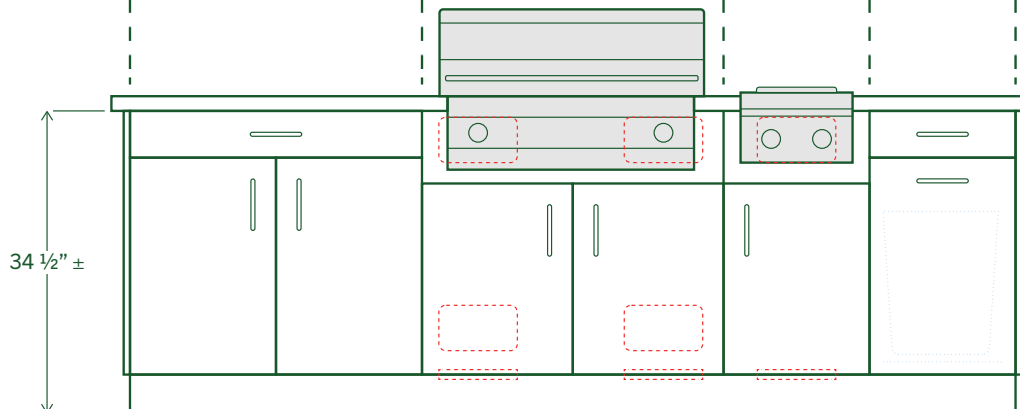
Template names are constructed as **LAYOUT** followed by **GRILL SIZE** (30-36"=**39**, 42"=**45**), **BP** if build has back panels, **NO BP** if it does not, and total width in inches (e.g. **112.5**).

	NO BACK PANELS	WITH BACK PANELS
<36" Grill	RETREAT 39 NO BP 112.5	RETREAT 39 BP 112.5
42" Grill	RETREAT 39 NO BP 118.5	RETREAT 39 BP 118.5

TOP VIEW



FRONT VIEW



Oasis

STARTING AT \$11,255



Features:



2 Storage Drawers



Refrigerator



Pull-out Trash Bin Drawer



Sink

The complete cooking and entertainment package, Oasis features cabinets that accommodate a sink, a refrigerator, a grill, a trash pull-out bin, and extensive storage. Shown in **Metallic Bronze Matte**.

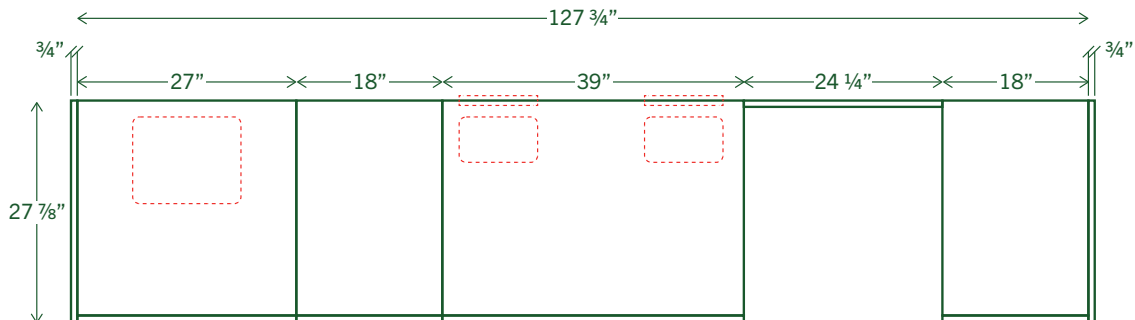
Width 127 3/4" (133 3/4") Height 36 1/2" Depth 27 7/8" (28 5/8")

Dimensions listed are for cabinetry designed to fit a 30-36" grill and without aesthetic finished rear panels. Opting for a 42" grill will increase width by 6", adding aesthetic finished rear panels will increase depth by 3/4". Resulting dimensions are shown in parentheses. Height measurement reflects 1 1/2" thick countertop. Adjustable leveling feet may affect height.

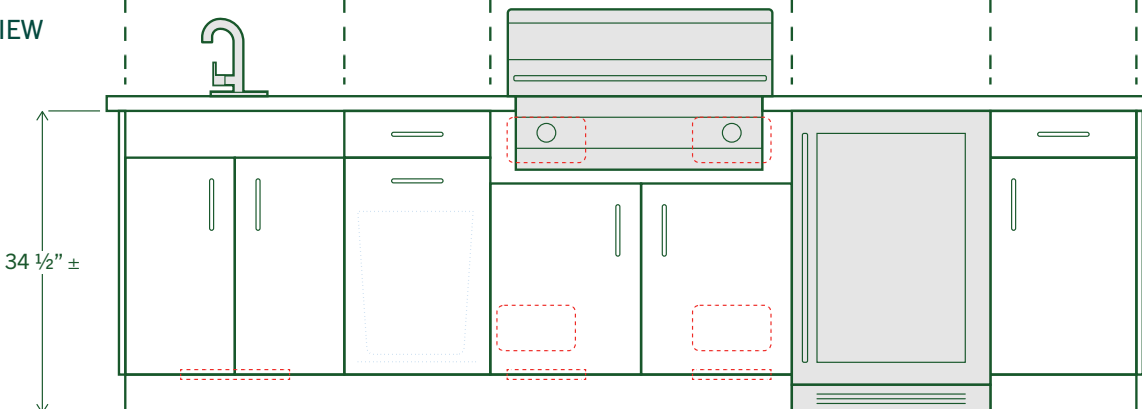
Template names are constructed as **LAYOUT** followed by **GRILL SIZE** (30-36"=**39**, 42"=**45**), **BP** if build has back panels, **NO BP** if it does not, and total width in inches (e.g. **127.75**).

	NO BACK PANELS	WITH BACK PANELS
<36" Grill	OASIS 39 NO BP 127.75	OASIS 39 BP 127.75
42" Grill	OASIS 39 NO BP 133.75	OASIS 39 BP 133.75

TOP VIEW



FRONT VIEW



Grove

STARTING AT \$12,772



Features:



1 Storage Drawer



Refrigerator



Pull-out Trash Bin Drawer



Sink & Faucet



Smoker

Grove is the ultimate cooking solution. Featuring cabinets that accommodate a sink, grill, refrigerator, trash pull-out bin, and a smoker, you will have all the appliances you need for food prep and cooking. Shown in **Slate**.

NOTE: this layout only fits 36" grills

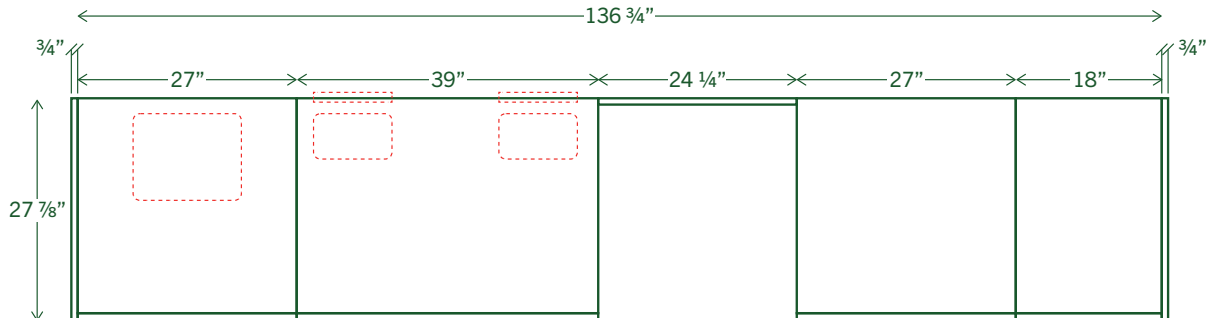
Width 136 3/4" Height 36 1/2" Depth 27 7/8" (28 5/8")

Dimensions listed are for cabinetry designed to fit a 30-36" grill and without aesthetic finished rear panels. Rear panels will increase depth by 3/4". Resulting dimensions are shown in parentheses. Height measurement reflects 1 1/2" thick countertop. Adjustable leveling feet may affect height.

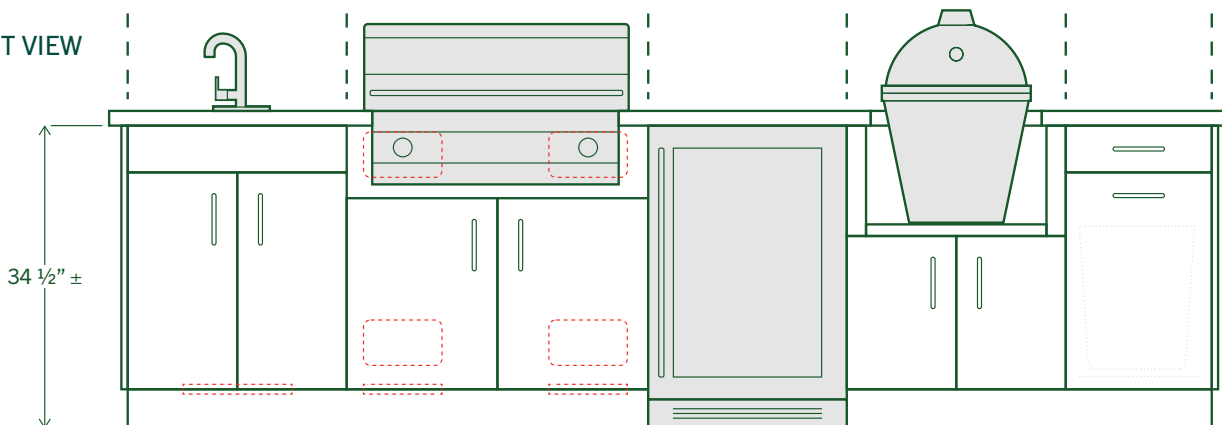
Template names are constructed as **LAYOUT** followed by **GRILL SIZE** (30-36"=39), **BP** if build has back panels, **NO BP** if it does not, and total width in inches (e.g. **136.75**).

	NO BACK PANELS	WITH BACK PANELS
<36" Grill	GROVE 39 NO BP 136.75	GROVE 39 BP 136.75

TOP VIEW



FRONT VIEW



Alcove

STARTING AT \$13,328



Features:



2 Storage Drawers



Refrigerator



Sink

The most generous layout for storage, Alcove is complete with cabinetry for a grill, sink, and refrigerator. This L-shaped configuration offers ample counter space for all your cooking requirements. Shown in **Pearl Night Blue**.

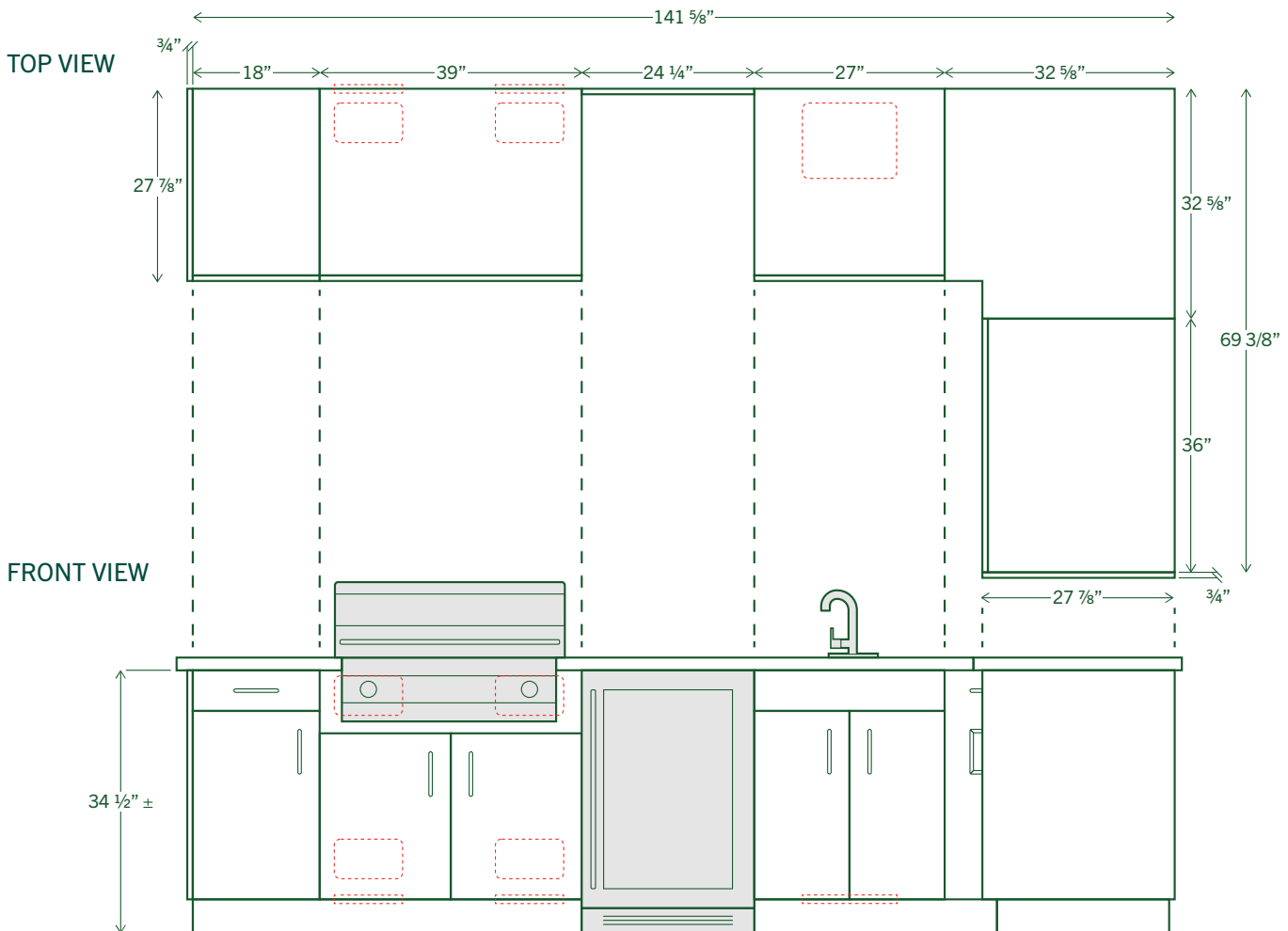
NOTE: this layout only fits 36" grills

142" 70" Height 36 1/2" Depth 27 7/8" (28 5/8")

Dimensions listed are for cabinetry designed to fit a 30-36" grill and without aesthetic finished rear panels. Rear panels will increase depth by 3/4". Resulting dimensions are shown in parentheses. Height measurement reflects 1 1/2" thick countertop. Adjustable leveling feet may affect height.

Template names are constructed as **LAYOUT** followed by **GRILL SIZE** (30-36"=**39**), **BP** if build has back panels, **NO BP** if it does not. Width measurement is not necessary for Alcove layout template names.

	NO BACK PANELS	WITH BACK PANELS
<36" Grill	ALCOVE 39 NO BP	ALCOVE 39 BP



Order Form

General Information

Dealer Contact _____ Install Address _____
 Company _____ City _____ State/Province _____
 Dealer: Phone _____ Email _____ ZIP/Postal Code _____ Install Date _____
 Client / Project Name _____ Client: Phone _____ Email _____

Trex Ready Layout Selection

<input type="checkbox"/> Haven	NO BACK PANELS			WITH BACK PANELS
30-36" Grill	HAVEN 39 NO BP 76.5	\$8,097		HAVEN 39 BP 76.5 \$9,151
42" Grill	HAVEN 45 NO BP 82.5	\$8,192		HAVEN 45 BP 82.5 \$9,595
Grill	Make & Model			
<input type="checkbox"/> Arbor	NO BACK PANELS			WITH BACK PANELS
30-36" Grill	ARBOR 39 NO BP 100.75	\$9,279		ARBOR 39 BP 100.75 \$10,334
42" Grill	ARBOR 45 NO BP 106.75	\$9,374		ARBOR 45 BP 106.75 \$10,778
Grill	Make & Model			
<input type="checkbox"/> Veranda	NO BACK PANELS			WITH BACK PANELS
30-36" Grill	VERANDA 39 NO BP 103	\$9,370		VERANDA 39 BP 103 \$10,558
42" Grill	VERANDA 45 NO BP 109	\$9,599		VERANDA 45 BP 109 \$11,001
Grill	Make & Model			
Side Burner	Make & Model			
<input type="checkbox"/> Retreat	NO BACK PANELS			WITH BACK PANELS
30-36" Grill	RETREAT 39 NO BP 112.5	\$11,212		RETREAT 39 BP 112.5 \$12,747
42" Grill	RETREAT 45 NO BP 118.5	\$11,573		RETREAT 45 BP 118.5 \$13,191
Grill	Make & Model			
Side Burner	Make & Model			
<input type="checkbox"/> Oasis	NO BACK PANELS			WITH BACK PANELS
30-36" Grill	OASIS 39 NO BP 127.75	\$11,255		OASIS 39 BP 127.75 \$12,788
42" Grill	OASIS 45 NO BP 133.75	\$11,350		OASIS 45 BP 133.75 \$12,884
Grill	Make & Model			
<input type="checkbox"/> Grove	NO BACK PANELS			WITH BACK PANELS
30-36" Grill	GROVE 39 NO BP 136.75	\$12,772		GROVE 39 BP 136.75 \$14,372
Grill	Make & Model			
<input type="checkbox"/> Alcove	NO BACK PANELS			WITH BACK PANELS
30-36" Grill	ALCOVE 39 NO BP	\$13,328		ALCOVE 39 BP \$14,925
Grill	Make & Model			

Powder Coat Color Selection

Seashell White
 Midnight Matte
 Champagne 304
 Pearl Night Blue
 Slate
 Metallic Bronze Matte

Countertop Thickness

1 1/4" (3cm)
 3/4" (2cm)
 Other: _____

Please Note

Freight and tax charges are not included.
 Sink and faucet details must be coordinated with countertop provider.
 30-36" grills utilize 39" grill base cabinets; 42" grills utilize 45" grill base cabinets.
 Not all grills are supported in Trex Ready™ grill base cabinets; please confirm cabinet compatibility with your appliance.
Dekton Outdoor Countertops:
 Please click the below link to learn more about Cosentino's Dekton Outdoor Countertops and to Request a Quote.
cosentino.com/usa/dekton/outdoor-countertops

Additional Notes

Signature _____
 Date _____

Trex Ready™
OUTDOOR KITCHENS

trex-outdoorkitchens.com | 203.726.0094 | 1 Grand Street, Wallingford, CT 06492

© 2024 Trex® Outdoor Kitchens is manufactured and sold by Danver LLC, under a Trademark Agreement with Trex Company, Inc.