

Haven

STARTING AT \$7,861



Features:



2 Storage Drawers



Pull-out Trash Bin Drawer

Functioning as a compact cooking station, Haven is a grill-centric configuration that flanks the centerpiece with a trash pull-out cabinet and plenty of storage space. Shown in **Champagne 304**.

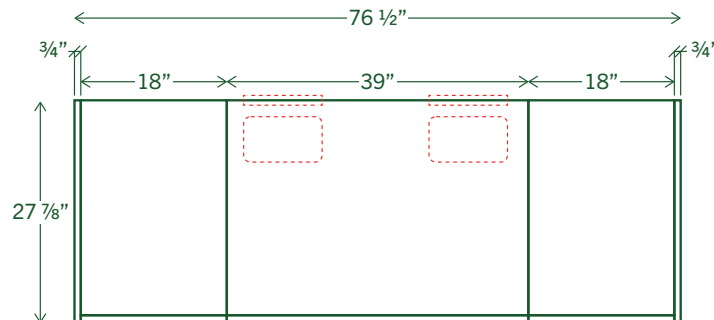
Width 76 1/2" (82 1/2") Height 36 1/2" Depth 27 7/8" (28 5/8")

Dimensions listed are for cabinetry designed to fit a 30-36" grill and without aesthetic finished rear panels. Opting for a 42" grill will increase width by 6", adding aesthetic finished rear panels will increase depth by 3/4". Resulting dimensions are shown in parentheses. Height measurement reflects 1 1/2" thick countertop. Adjustable leveling feet may affect height.

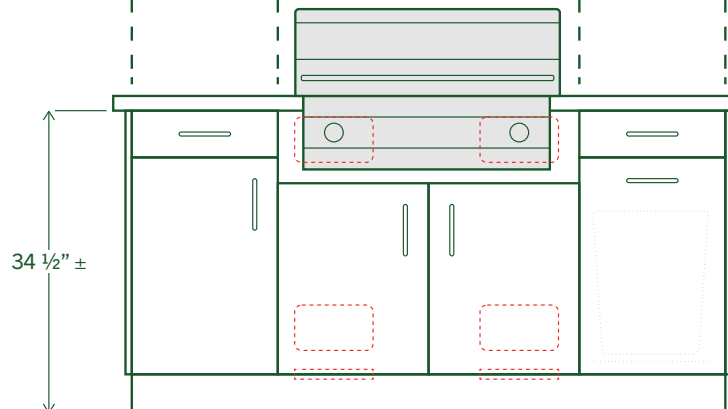
Template names are constructed as **LAYOUT** followed by **GRILL SIZE** (30-36"=**39**, 42"=**45**), **BP** if build has back panels, **NO BP** if it does not, and total width in inches (e.g. **76.5**).

	NO BACK PANELS	WITH BACK PANELS
<36" Grill	HAVEN 39 NO BP 76.5	HAVEN 39 BP 76.5
42" Grill	HAVEN 45 NO BP 82.5	HAVEN 45 BP 82.5

TOP VIEW



FRONT VIEW



Arbor

STARTING AT \$9,009



Features:



2 Storage Drawers



Refrigerator



Pull-out Trash Bin Drawer

Designed with entertainment in mind, Arbor adds a refrigerator space and additional workspace on the left side of the grill cabinet. It is rounded out with a trash pull-out cabinet and storage. Shown in **Pearl Night Blue**.

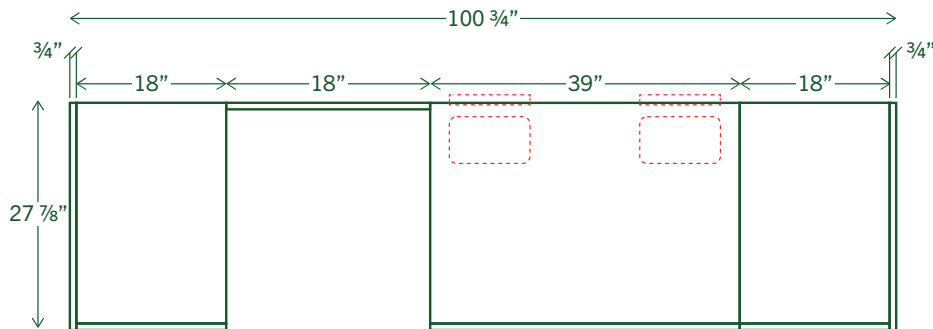
Width 100 3/4" (106 3/4") Height 36 1/2" Depth 27 7/8" (28 5/8")

Dimensions listed are for cabinetry designed to fit a 30-36" grill and without aesthetic finished rear panels. Opting for a 42" grill will increase width by 6", adding aesthetic finished rear panels will increase depth by 3/4". Resulting dimensions are shown in parentheses. Height measurement reflects 1 1/2" thick countertop. Adjustable leveling feet may affect height.

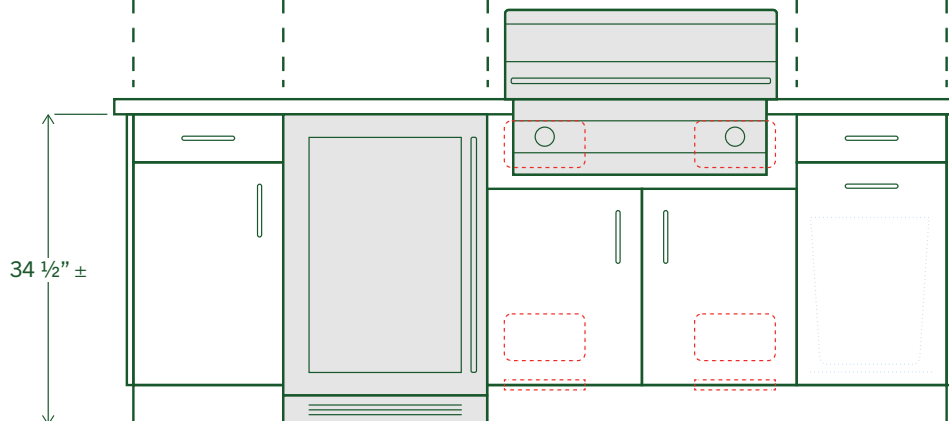
Template names are constructed as **LAYOUT** followed by **GRILL SIZE** (30-36"=**39**, 42"=**45**), **BP** if build has back panels, **NO BP** if it does not, and total width in inches (e.g. **100.75**).

	NO BACK PANELS	WITH BACK PANELS
<36" Grill	ARBOR 39 NO BP 100.75	ARBOR 39 BP 100.75
42" Grill	ARBOR 45 NO BP 106.75	ARBOR 45 BP 106.75

TOP VIEW



FRONT VIEW



Veranda

STARTING AT \$9,097



Features:



1 Storage Drawer



Refrigerator



Pull-out Trash Bin Drawer



Side Burner

Veranda offers additional cooking capabilities with a side burner cabinet next to the grill cabinet. It includes a refrigerator space and a trash pull-out cabinet for easy food prep and cleanup. Shown in **Seashell White**.

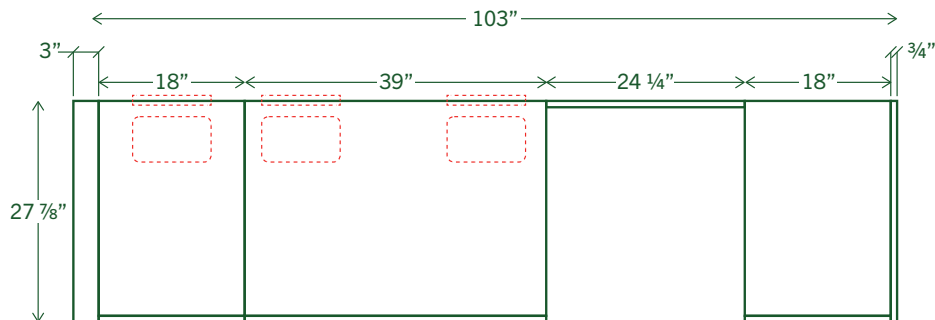
Width 103" (109") Height 36 1/2" Depth 27 7/8" (28 5/8")

Dimensions listed are for cabinetry designed to fit a 30-36" grill and without aesthetic finished rear panels. Opting for a 42" grill will increase width by 6", adding aesthetic finished rear panels will increase depth by 3/4". Resulting dimensions are shown in parentheses. Height measurement reflects 1 1/2" thick countertop. Adjustable leveling feet may affect height.

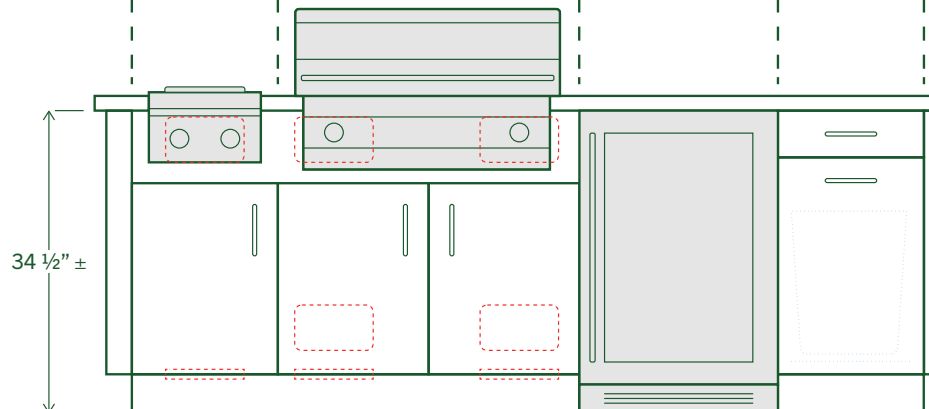
Template names are constructed as **LAYOUT** followed by **GRILL SIZE** (30-36"=**39**, 42"=**45**), **BP** if build has back panels, **NO BP** if it does not, and total width in inches (e.g. **103**).

	NO BACK PANELS	WITH BACK PANELS
<36" Grill	VERANDA 39 NO BP 103	VERANDA 39 BP 103
42" Grill	VERANDA 45 NO BP 109	VERANDA 45 BP 109

TOP VIEW



FRONT VIEW



Retreat

STARTING AT \$10,885



Features:



2 Storage Drawers



Side Burner



Pull-out Trash Bin Drawer

This configuration is generous with storage and counter space. It includes a door/drawer combination base cabinet, a side burner cabinet, and a trash pull-out cabinet. Shown in **Midnight Matte**.

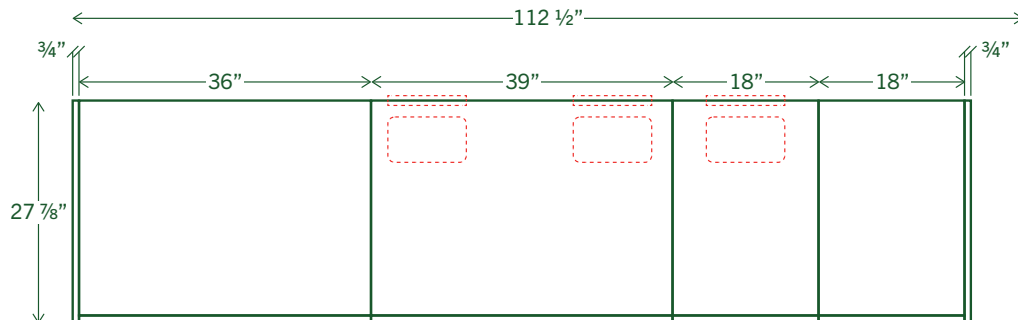
Width 112 1/2" (118 1/2") Height 36 1/2" Depth 27 7/8" (28 5/8")

Dimensions listed are for cabinetry designed to fit a 30-36" grill and without aesthetic finished rear panels. Opting for a 42" grill will increase width by 6", adding aesthetic finished rear panels will increase depth by 3/4". Resulting dimensions are shown in parentheses. Height measurement reflects 1 1/2" thick countertop. Adjustable leveling feet may affect height.

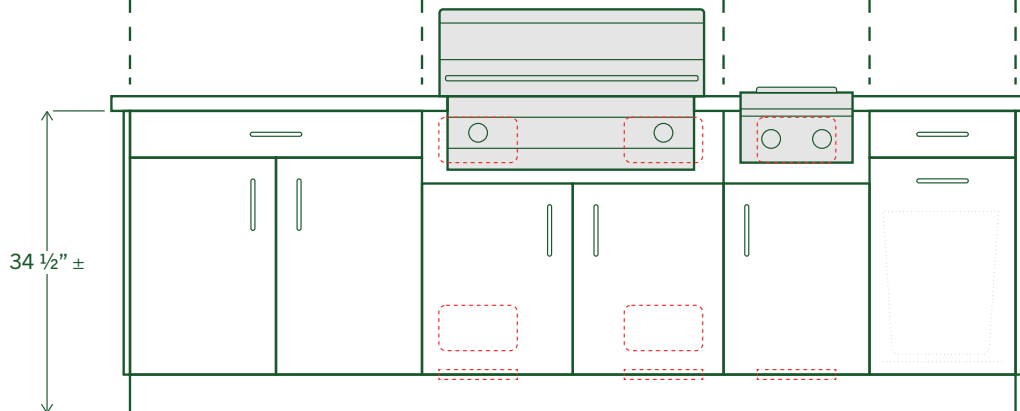
Template names are constructed as **LAYOUT** followed by **GRILL SIZE** (30-36"=**39**, 42"=**45**), **BP** if build has back panels, **NO BP** if it does not, and total width in inches (e.g. **112.5**).

	NO BACK PANELS	WITH BACK PANELS
<36" Grill	RETREAT 39 NO BP 112.5	RETREAT 39 BP 112.5
42" Grill	RETREAT 39 NO BP 118.5	RETREAT 39 BP 118.5

TOP VIEW



FRONT VIEW



Oasis

STARTING AT \$10,927



Features:



2 Storage Drawers



Refrigerator



Pull-out Trash Bin Drawer



Sink

The complete cooking and entertainment package, Oasis features cabinets that accommodate a sink, a refrigerator, a grill, a trash pull-out bin, and extensive storage. Shown in **Metallic Bronze Matte**.

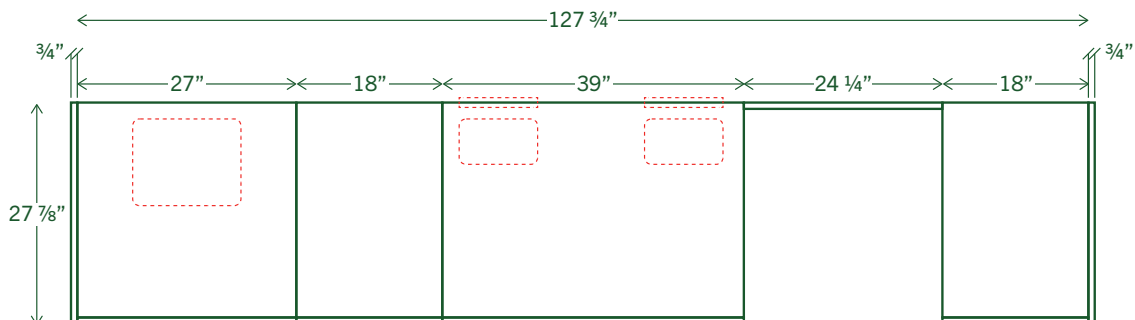
Width 127 3/4" (133 3/4") Height 36 1/2" Depth 27 7/8" (28 5/8")

Dimensions listed are for cabinetry designed to fit a 30-36" grill and without aesthetic finished rear panels. Opting for a 42" grill will increase width by 6", adding aesthetic finished rear panels will increase depth by 3/4". Resulting dimensions are shown in parentheses. Height measurement reflects 1 1/2" thick countertop. Adjustable leveling feet may affect height.

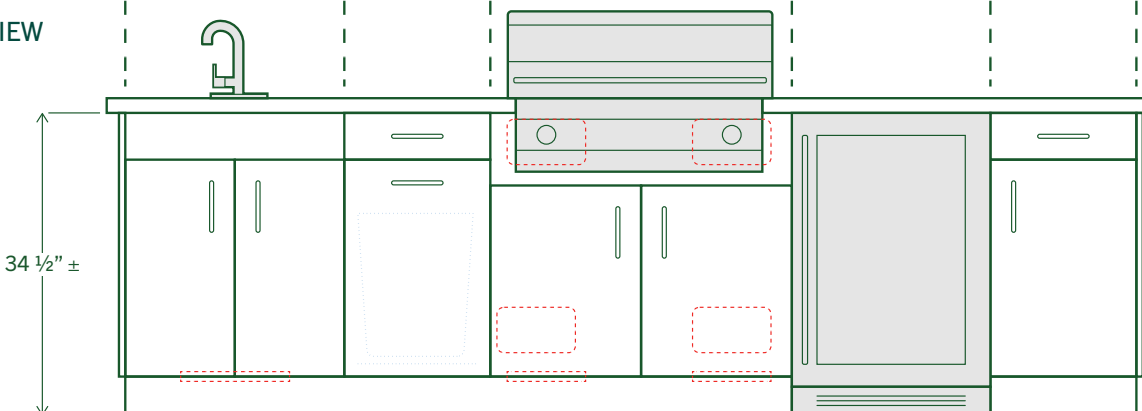
Template names are constructed as **LAYOUT** followed by **GRILL SIZE** (30-36"=**39**, 42"=**45**), **BP** if build has back panels, **NO BP** if it does not, and total width in inches (e.g. **127.75**).

	NO BACK PANELS	WITH BACK PANELS
<36" Grill	OASIS 39 NO BP 127.75	OASIS 39 BP 127.75
42" Grill	OASIS 39 NO BP 133.75	OASIS 39 BP 133.75

TOP VIEW



FRONT VIEW








Grove

STARTING AT \$12,400



Features:

-  1 Storage Drawer
-  Refrigerator
-  Pull-out Trash Bin Drawer
-  Sink & Faucet
-  Smoker

Grove is the ultimate cooking solution. Featuring cabinets that accommodate a sink, grill, refrigerator, trash pull-out bin, and a smoker, you will have all the appliances you need for food prep and cooking. Shown in **Slate**.

NOTE: this layout only fits 36" grills

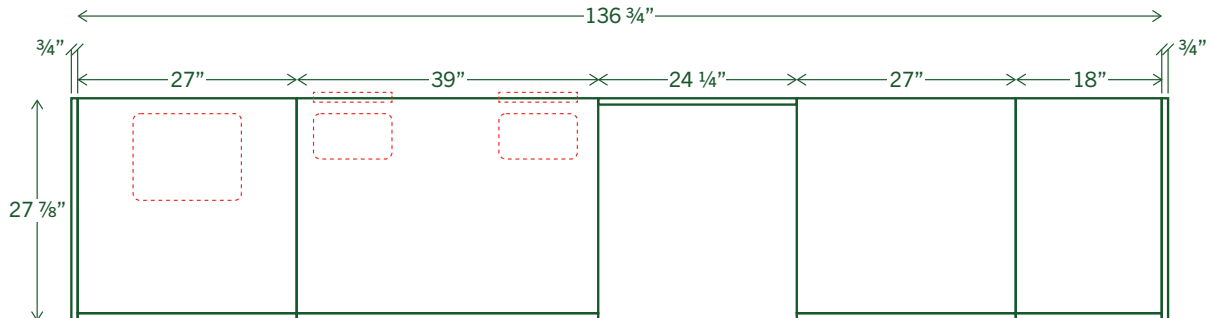
Width 136 3/4" Height 36 1/2" Depth 27 7/8" (28 5/8")

Dimensions listed are for cabinetry designed to fit a 30-36" grill and without aesthetic finished rear panels. Rear panels will increase depth by 3/4". Resulting dimensions are shown in parentheses. Height measurement reflects 1 1/2" thick countertop. Adjustable leveling feet may affect height.

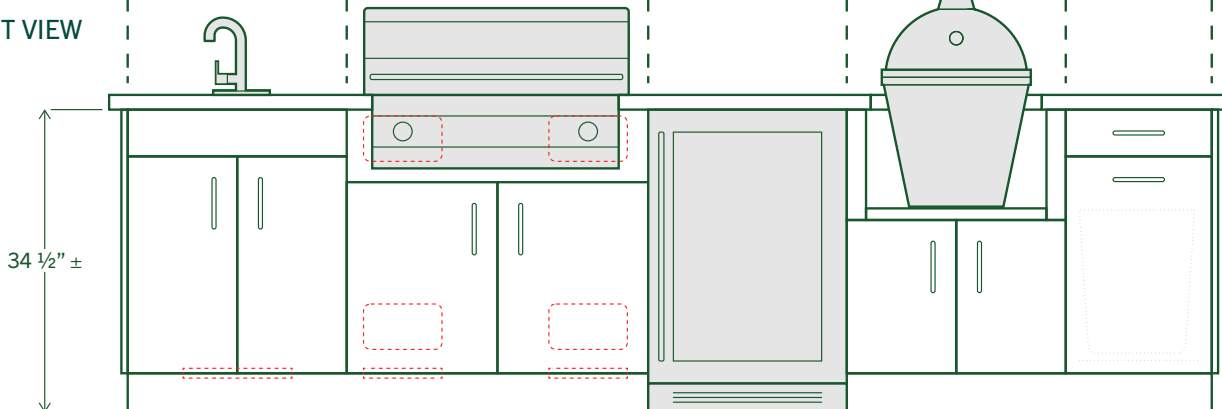
Template names are constructed as **LAYOUT** followed by **GRILL SIZE** (30-36"=**39**), **BP** if build has back panels, **NO BP** if it does not, and total width in inches (e.g. **136.75**).

	NO BACK PANELS	WITH BACK PANELS
<36" Grill	GROVE 39 NO BP 136.75	GROVE 39 BP 136.75

TOP VIEW



FRONT VIEW



Alcove

STARTING AT \$12,940



Features:



2 Storage Drawers



Refrigerator



Sink

The most generous layout for storage, Alcove is complete with cabinetry for a grill, sink, and refrigerator. This L-shaped configuration offers ample counter space for all your cooking requirements. Shown in **Pearl Night Blue**.

NOTE: this layout only fits 36" grills

142" 70" Height 36 1/2" Depth 27 7/8" (28 5/8")

Dimensions listed are for cabinetry designed to fit a 30-36" grill and without aesthetic finished rear panels. Rear panels will increase depth by 3/4". Resulting dimensions are shown in parentheses. Height measurement reflects 1 1/2" thick countertop. Adjustable leveling feet may affect height.

Template names are constructed as **LAYOUT** followed by **GRILL SIZE** (30-36"=**39**), **BP** if build has back panels, **NO BP** if it does not. Width measurement is not necessary for Alcove layout template names.

	NO BACK PANELS	WITH BACK PANELS
<36" Grill	ALCOVE 39 NO BP	ALCOVE 39 BP

